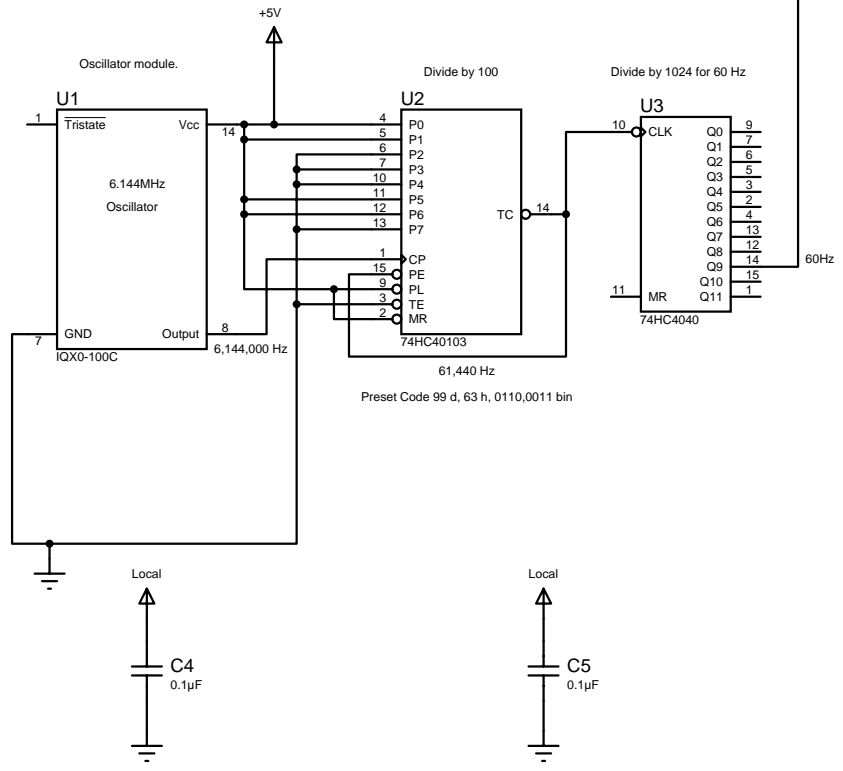
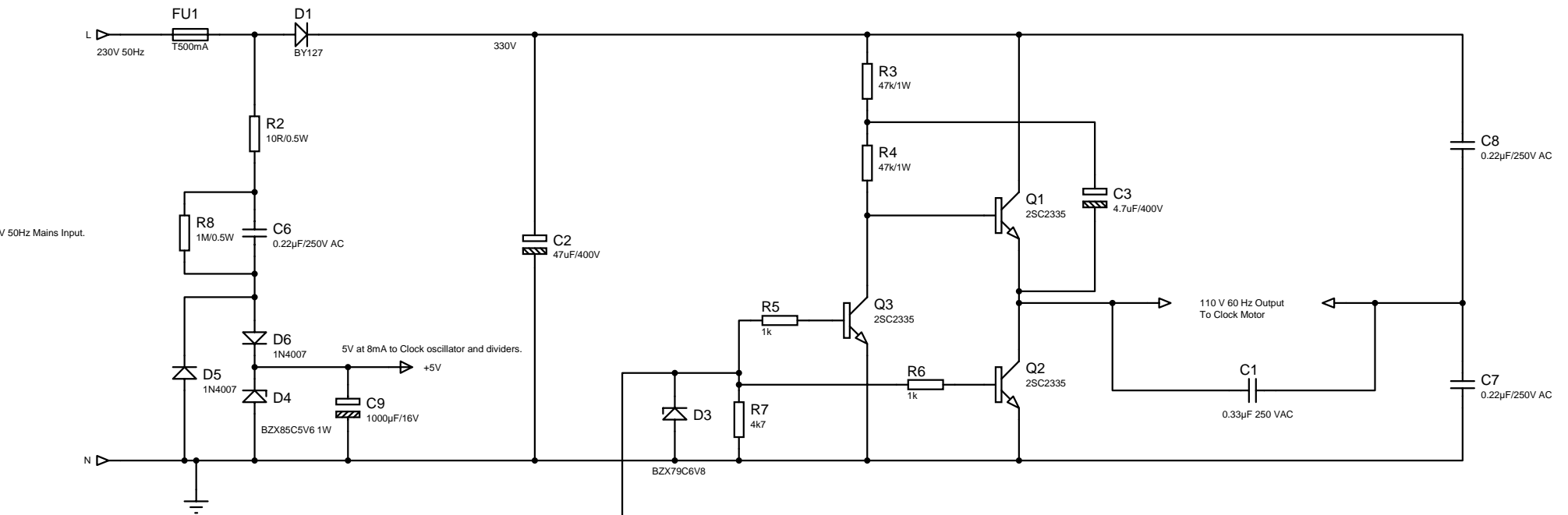


230 V 50Hz Mains Input.



**Danger, circuit is connected Directly to Mains !
It will bite you :-)**

This point is connected to Mains Neutral.

TITLE: 110V 60Hz Clock Supply	DATE: 12/10/06
SECTION: Supply and 60Hz generator	PAGE: 1/1
FILE PATH: C:\Files\ISIS_Files\V2 60Hz 110V Clock Driver.DSN	REV: 2.0
	BY: Malcolm Everiss